

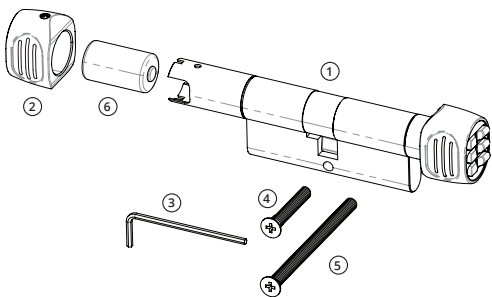
QUICK START GUIDE: INSTALLATION

1 Before you start

Make sure the cylinder length is equal to or greater than the thickness of your door and furniture combined. The cylinder length can be found on the side of the box.

Box Contents

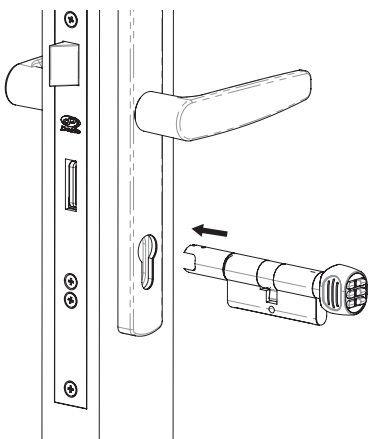
- ① x1 Cylinder Body with Actuator
- ② x1 Internal Actuator
- ③ x1 Allen Key - 2mm
- ④ x1 Screw - M5 x 30mm
- ⑤ x1 Screw - M5 x 70mm
- ⑥ x1 CR2 Battery (included)



2 Insert Cylinder Body

While the door is open, insert the **Cylinder Body** from the external side of the door.

Confirm that the cylinder body protrudes from the door furniture on both sides.

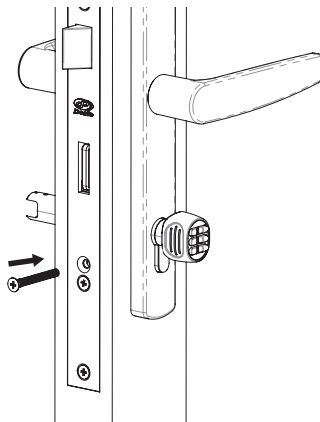


3 Fasten Cylinder

Locate the fixing screw supplied with the lock body.

Insert through the lock body face plate and fasten the cylinder body.

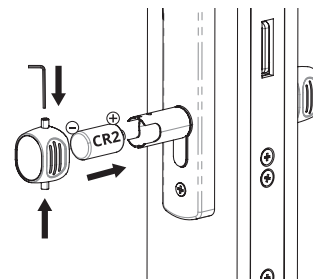
Alternately, a M5 x 30mm and M5 x 70mm screw have been supplied.



4 Insert Battery and Actuator

Insert the **CR2 Battery top first** into the Cylinder Body, and check to ensure the negative terminal is visible after insertion.

Attach the Internal Actuator onto the Cylinder Body, ensuring the grub screws align with the round cutouts on the Cylinder Body. Apply pressure on the Internal Actuator and hold while you fasten the 2 x grub screws using the supplied Allen key.



5 Test Cylinder

Close the door and enter the factory default Master PIN.

Standard Orientation:
Enter six 1's
(1)(1)(1)(1)(1)(1)

Reverse Orientation:
Enter six 6's
(6)(6)(6)(6)(6)(6)

Once the correct 6-digit PIN is entered, the cylinder will beep and flash green confirming the cylinder is now operable.

Rotate both actuators to test the locking and unlocking function.

IMPORTANT: The Factory Default Master PIN must be changed for security reasons.

6 Change Factory Default Master PIN

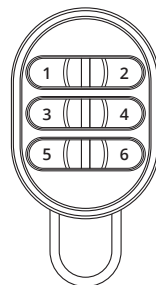
The Cylinder comes with a factory default Master PIN. For security reasons, it is recommended to change this at install before adding any users, and/or at Builder Handover.

Note which way the cylinder has been installed and follow the instructions to the right:

There are two types of orientations:

- **Standard** - where the narrow housing sits **below** the Actuator
- **Reverse** - where the narrow housing sits **above** the Actuator

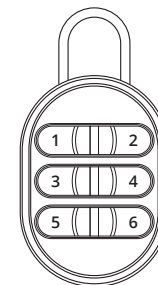
Standard Cylinder Orientation



1. Press+hold (6) for 10 seconds.
2. Enter the Fac.Default Master PIN.
(1)(1)(1)(1)(1)(1)
3. Press (3) to change the F/Default Master PIN and erase all User PIN's
4. Enter a new 6-digit Master PIN
5. Confirm the new 6-digit Master PIN

All stored User PINs are also erased when Master PIN is changed

Reverse Cylinder Orientation



1. Press+hold (1) for 10 seconds.
2. Enter the Fac.Default Master PIN.
(6)(6)(6)(6)(6)(6)
3. Press (4) to change the F/Default Master PIN and erase all User PIN's
4. Enter a new 6-digit Master PIN
5. Confirm the new 6-digit Master PIN

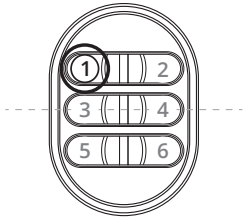
All stored User PINs are also erased when Master PIN is changed

QUICK START GUIDE: HOW TO USE

1 Keypad/Actuator Orientation

Top left key is always #1, no matter which way the actuator has been spun.

The Electronic Cylinder keypads use an orientation sensor to determine which way is up.



2 Operating/using the Cylinder

By default the cylinder will be in secure mode and the actuators will spin freely without operating the door's lockbody.

Rotate the actuator to a vertical position. Enter the 6 digit PIN to activate the cylinder. The keypad will flash green if the correct code is entered.

Rotate the actuator to operate the lockbody. Confirm the door can now lock/unlock.

Pushing any button will put the cylinder back into secure mode. Test this by rotating the actuator to ensure it spins freely without operating the lockbody.

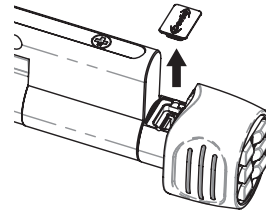
The cylinder will automatically enter secure mode after 10 seconds.

3 When does the battery needs replacing?

The keypad will flash orange after a correct PIN is entered when it's time to replace the battery.

If the battery goes completely flat you can temporarily power the cylinder using any power bank with a Micro USB connection (not included).

The connector is located under the Doric logo cap.



4 Replacing the battery

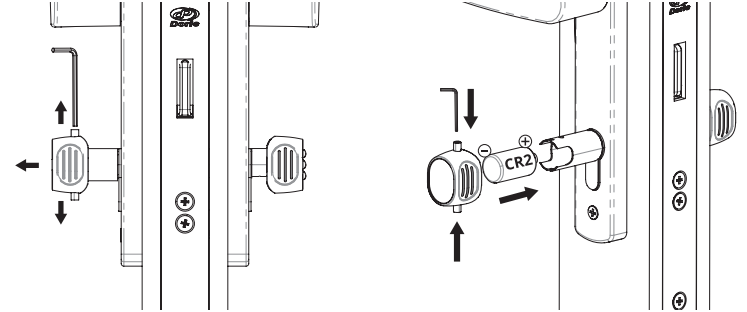
The cylinder uses one CR2 battery

1. Loosen the 2 x grub screws 3 turns on the Internal Actuator using the supplied Allen key.

Slide off the Internal Actuator

2. Insert the CR2 Battery into the Cylinder Body, and check to ensure the negative terminal is visible after insertion

Attach the Internal Actuator onto the Cylinder Body, ensuring the grubs screws align with the round cutouts on the Cylinder Body. Apply pressure on the Internal Actuator and hold while you fasten the 2 x grub screws using the supplied Allen key.



5 Understanding PINs, User IDs and Groups

PIN's:
All PIN's are a six digit long code. You can use the same digit multiple times in your code.

Groups:
There are a total of two groups, each with 6 spots/Users available. A combined Group-User number makes the User ID. Example, User ID 1 2, refers to User 2 in Group 1.

Groups can be used to manage multiple types of Users, such as family or tradesmen.

User ID:
To add a new PIN code, an available User ID must be assigned. *Read Programming Instructions.*

Using the table to the right can help keep track of the Users. Remember to store in a secure location.

USER ID	Group 1	Group 2
User 1	User ID 1 1	User ID 2 1
User 2	User ID 1 2	User ID 2 2
User 3	User ID 1 3	User ID 2 3
User 4	User ID 1 4	User ID 2 4
User 5	User ID 1 5	User ID 2 5
User 6	User ID 1 6	User ID 2 6

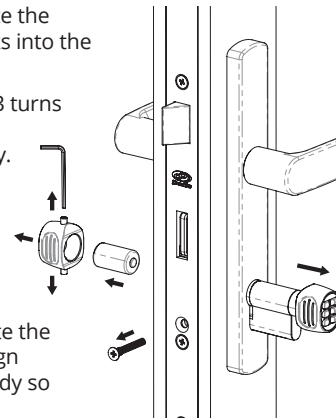
6 Removing the Cylinder

While the door is open, rotate the Internal Actuator until it clicks into the home position.

Loosen the 2 x grub screws 3 turns and remove the Internal Actuator and the CR2 Battery.

Locate and remove the Cylinder fixing screw. Remove the Cylinder Body from the external side of the door.

Note: you may need to rotate the Internal Actuator shaft to align the cam with the cylinder body so that it can be removed.



7 Builder handover & General Maintenance

At builder handover, the user can change the master PIN to remove all prior builder access. Changing the Master PIN erases all PIN's programmed into the cylinder.

Maintenance:
General cleaning is recommended every 3 months with mild detergent and warm soapy water, then rinse with clean water and wipe dry.

View more about this product on our website:
doric.com.au/product/epec-snib



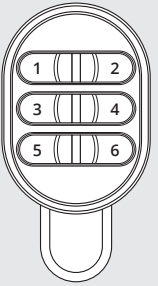
PROGRAMMING INSTRUCTIONS

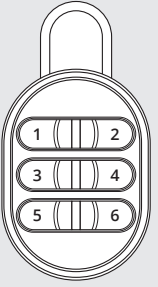
Programming is dependent on cylinder orientation

- There are two types of orientations:
- **Standard** - where the narrow housing sits below the Actuator
 - **Reverse** - where the narrow housing sits above the Actuator

The orientation of the Euro Cylinder is dependent on the lockbody and furniture set installed on the door.

Follow the instructions as per the installed orientation to program the Electronic PIN Euro Cylinder.

Standard Cylinder Orientation	Adding a new User PIN	Erasing a User PIN	Change Master PIN	Erasing a Group	Snib Mode*	Beep On/Off
	1. Press and hold (6) for 10 seconds. <i>Note: lights will flash orange while in Programming Mode</i> 2. Enter the Master PIN. <i>The factory default the Master PIN is (1)(1)(1)(1)(1)(1)</i>	3. Press (2) for erasing a User's PIN access	3. Press (3) to change the Master PIN and erase all User PINs	3. Press (4) for erasing all PINs in an assigned Group	3. Press (5) to toggle Snib mode: On/Off <i>Activated side: pushing any key activates cylinder</i> *Snib Mode will only work on the keypad side you activated it on. Both sides can run Snib Mode	3. Press (6) to toggle the beep On/Off <i>With Beep turned Off, the User can operate the cylinder at night without disturbing others</i>
	3. Press (1) to add a new User PIN	4. Enter the User ID <i>Example: group(1) user(2)</i>	4. Enter new 6-digit Master PIN <i>Example: (1)(2)(1)(2)(1)(2)</i>	4. Enter the Group ID <i>Example: Group(2)</i>	To quickly exit snib mode without entering programming mode: Hold (1) and (2) for 10 seconds	
	4. Enter an available User ID <i>Example: group(1) user(1)</i>	5. Confirm User ID <i>Example: group(1) user(2)</i>	5. Confirm new Master PIN <i>Example: (1)(2)(1)(2)(1)(2)</i>	5. Confirm Group ID <i>Example: Group(2)</i>		
	5. Enter a new User's 6 digit PIN <i>Example: (4)(5)(4)(5)(5)(6)</i>	6. Re-enter the new User's PIN to confirm <i>Example: (4)(5)(4)(5)(5)(6)</i>	<i>Example: User 2 of Group 1 has now been deleted</i>	<i>Example: The Master PIN has now been changed and all User PINs are erased</i>		
	6. Re-enter the new User's PIN to confirm <i>Example: (4)(5)(4)(5)(5)(6)</i>					

Reverse Cylinder Orientation	Adding a new User PIN	Erasing a User PIN	Change Master PIN	Erasing a Group	Snib Mode*	Beep On/Off
	1. Press and hold (1) for 10 seconds. <i>Note: lights will flash orange while in Programming mode</i> 2. Enter the Master PIN. <i>The factory default the Master PIN is (6)(6)(6)(6)(6)(6)</i>	3. Press (5) for erasing a User's PIN access	3. Press (4) to change the Master PIN and erase all User PINs	3. Press (3) for erasing all PINs in an assigned Group	3. Press (2) to toggle Snib mode: On/Off <i>Activated side: pushing any key activates cylinder</i> *Snib Mode will only work on the keypad side you activated it on. Both sides can run Snib Mode	3. Press (1) to toggle the beep On/Off <i>With Beep turned Off, the User can operate the cylinder at night without disturbing others</i>
	3. Press (6) to add a new User PIN	4. Enter the User ID <i>Example: group(1) user(2)</i>	4. Enter new 6-digit Master PIN <i>Example: (1)(2)(1)(2)(1)(2)</i>	4. Enter the Group ID <i>Example: Group(2)</i>	To quickly exit snib mode without entering programming mode: Hold (5) and (6) for 10 seconds	
	4. Enter an available User ID <i>Example: group(2) user(3)</i>	5. Confirm User ID <i>Example: group(1) user(2)</i>	5. Confirm new Master PIN <i>Example: (1)(2)(1)(2)(1)(2)</i>	5. Confirm Group ID <i>Example: Group(2)</i>		
	5. Enter a new User's 6-digit PIN <i>Example: (4)(5)(4)(5)(5)(6)</i>	6. Re-enter the new User's PIN to confirm <i>Example: (4)(5)(4)(5)(5)(6)</i>	<i>Example: User 2 of Group 1 has now been deleted</i>	<i>Example: The Master PIN has now been changed and all User PINs are erased</i>		
	6. Re-enter the new User's PIN to confirm <i>Example: (4)(5)(4)(5)(5)(6)</i>					

The Electronic PIN Euro Cylinder allows up to 6 individual user PIN codes in each of the two groups, making a total of 12 PIN codes. It is recommended to manage temporary codes by groups (e.g. tradesmen). Below is an example of code management you could employ.

User ID	Group 1 "Home"	Group 2 "Services"
User 1	User ID 1 1 "Household" 5 4 3 3 6 2	User ID 2 1 "Cleaner" 6 1 3 4 5 5
User 2	User ID 1 2 "Grampa" 2 5 5 4 3 1	User ID 2 2 "Plumber" 6 1 3 4 4 5
User 3	User ID 1 3	User ID 2 3 "Pest Control" 6 1 3 4 1 3

Remember to wipe user codes or a whole group when no longer needed.

■ The lock will make a long beep, and the LED will flash green if programming is completed correctly.

■ The LED will flash red if an input is not entered correctly or no input is received for 10 secs.

■ You can exit programming mode at any time by turning the Actuator 180 degrees.