



AWNING WINDOW | SLIDING DOOR | HINGED DOOR | SLIDING WINDOW HARDWARE RANGE

# AVON SERIES | DOOR & WINDOW HARDWARE

# AVON SERIES | PRODUCT RANGE



## AVON SLIDING PATIO DOOR LOCK



DS3621 Latch Set (*without cylinder*)  
DS3622 Lock Set (*Exterior cylinder only*)  
DS3628 Dummy Set (*without cylinder*)

- Contemporary handle design
- Industry standard for aesthetics and corrosion resistance
- Die cast chrome hardened tongues adds extra security
- Powder coat colours available



## AVON D PULL HANDLE



DN350 D Pull handle  
DN351 Narrow style D Pull handle

- Used with the DS1290 Sliding Mortice Lockbody
- Contemporary offset D shape handle design
- Slimline handle version available
- Twin beak mortice locking
- Powder coat colours available
- Anti-crash feature



## AVON FLUSH PULL HANDLE



DS575 Flush Pull handle  
DS1253 Escutcheon

- Used with the DS1290 Sliding Mortice Lockbody
- Contemporary handle design
- Twin beak mortice locking
- Back to Back and single side kit options
- Powder coat colours available
- Anti-crash feature

# AVON SERIES | PRODUCT RANGE



## AVON HINGED DOOR FURNITURE



DS1650 Hinged Door Lock

- Residential applications
- Lever and escutcheon plates manufactured from high pressure cast zinc for enhanced strength and durability
- Industry standard for aesthetics and corrosion resistance
- Powder coat colours available
- Unique concealed fixings



## AVON SLIDING WINDOW LOCKS



DS6007 Surface Mounted Sliding Window Latch  
DN551 Mortised Flush Sliding Window Self Latch

- Contemporary design
- Industry standard for aesthetics and corrosion resistance
- Powder coat colours available



## AVON AWNING HANDLE



DS801 Venting Awning Latch Handle  
DS802 Standard Awning Latch Handle  
DS803 Low profile Awning Latch Handle

- Zinc die cast manufactured body delivers strength and durability
- Contemporary handle design
- Available in left and right handed openings

# The Avon Sliding Door Lock sets the industry standard for aesthetic appeal, corrosion resistance and reliability.

The Avon Sliding Patio Door Lock uses the Doric 'Switch' chassis system offering strength, durability and reliability. Using a robust chassis and furniture, the AVON with its contemporary design style sets the industry standard for aesthetics and corrosion resistance.

The Avon Sliding Patio Door Lock, available in latch, lock & dummy applications makes locking a door as simple as flicking a 'switch'.

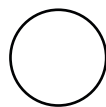
## ADVANTAGES

- Twin latch lock
- Die cast chrome hardened tongues give added security
- Metacom™ construction cover and chassis deliver excellent resistance to corrosion
- Incorporates anti-crash feature to avoid damage to hook tongues and keeper
- Utilises New Zealand industry standard 125mm door preparation detail, allowing the Avon to retrofit most existing sliding patio door locks
- Unique face mounted switch action for ease of operation
- The switch function handed for side by side (left and right) installation
- Packers available as an optional extra

## COLOURS



BLACK



WHITE



SILVER



CUSTOM  
POWDER COAT  
AVAILABLE



## PRODUCT DETAILS

HANDLE & CHASSIS	Metacom™
INTERNALS	Die cast
TONGUES	Hardened Chrome
FINISH	Powder coat
CYLINDER	DS188 C4 - 5 pin system

## LOCKSET OPTIONS



DS3621  
Latch Set  
(without cylinder)



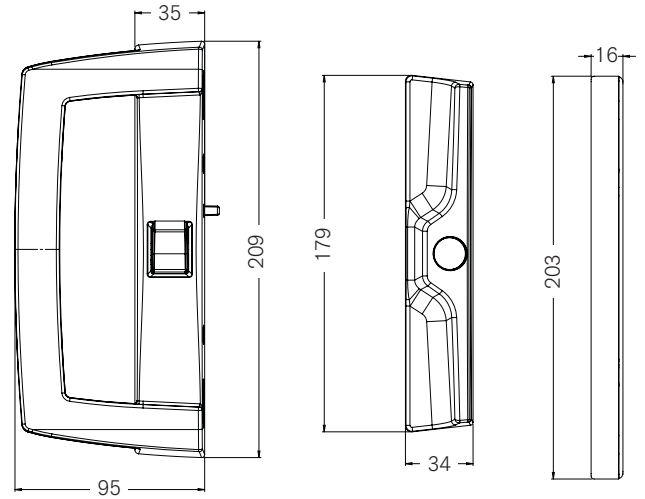
DS3622  
Lock Set  
(Exterior cylinder only)



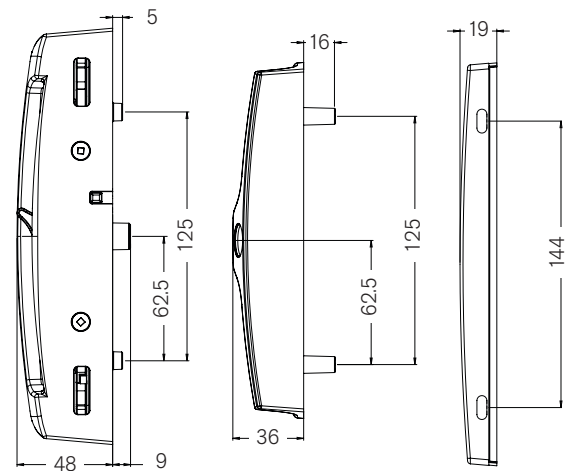
DS3628  
Dummy Set  
(without cylinder)

## LINE DRAWINGS

FRONT



SIDE



## HOW TO ORDER

LOCKSET OPTIONS	FINISH	COLOUR	CHASSIS MATERIAL	EXTERNAL HANDLE	CYLINDER	KEEPER
DS3621 Latch set (no cyl)	Powder coat	Black	Metacom™	Standard	-	Standard
DS3622 Lock Set (Ext cyl)		White			DS188 C4 - 5 Pin	
DS3628 Dummy (no cyl)		Silver			-	-
		Custom P/C (on request)				

## AVON SERIES | D PULL HANDLES

# Designed by Doric to be aesthetically pleasing while tough enough to withstand the rigours of daily living.

The Avon D Pull handles are suitable for residential sliding door suites. The range can be kitted to your requirements or each available to be ordered stand alone.

The DN350 Aluminium D Pull and DN351 Slimline D Pull handles are available in a variety of standard powder coat colours with non-standard colours available on request. Choose either a BTB (Back to back) interior/exterior handle set or single sided interior which can be kitted with an exterior DS575 flush pull for applications where an exterior screen door is installed.

The DS1290 Aluminium mortice lock body, available in 30mm, 35mm and 40mm backsets, features twin counteracting beaks to engage an all-metal catch plate providing resistance to jimmying and restrains the door against being lifted externally from its rails. A catch plate drilling jig is also included for exact placement and quick & simple fitting.

A choice of either the Standard keeper or the optional Slimline keeper, and the DS1253 square escutcheon, completes the range.

## COLOURS



BLACK  
POWDER  
COATED



CUSTOM  
COLOURS  
ON REQUEST

## TESTING



DS1290 Performance tested to 50,000 cycles

## HOW TO ORDER

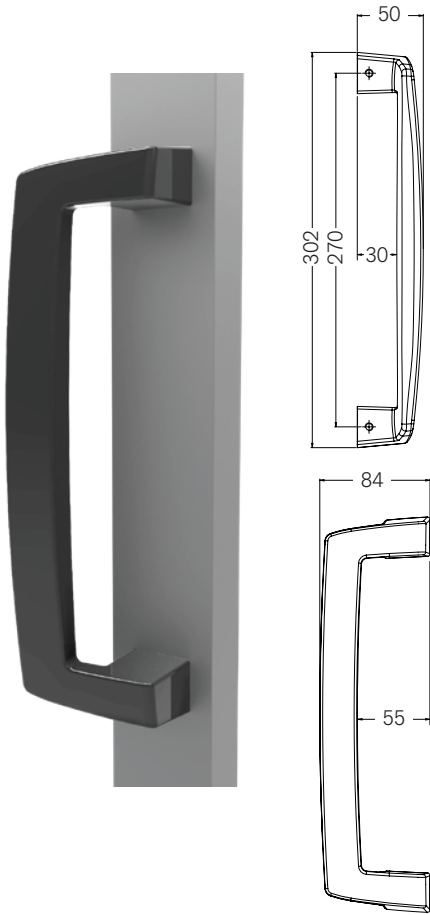
INTERNAL	EXTERNAL	COLOUR	ESCUTCHEON	LOCKBODY	CYLINDER	KEEPER
DN350 D Pull handles - BTB Set						
DN351 Narrow D Pull handles - BTB Set						
DN350 D Pull	DN350 D Pull	Powder coat	DS1253	DS1290/30	DS1266	DS1293
DN351 Narrow D Pull	DN351 Narrow D Pull		DS1253SS (Stainless steel)	DS1290/35	DS1272	DS1291
DS575 Flush Pull	DS575 Flush Pull			DS1290/40		

## PRODUCT DETAILS

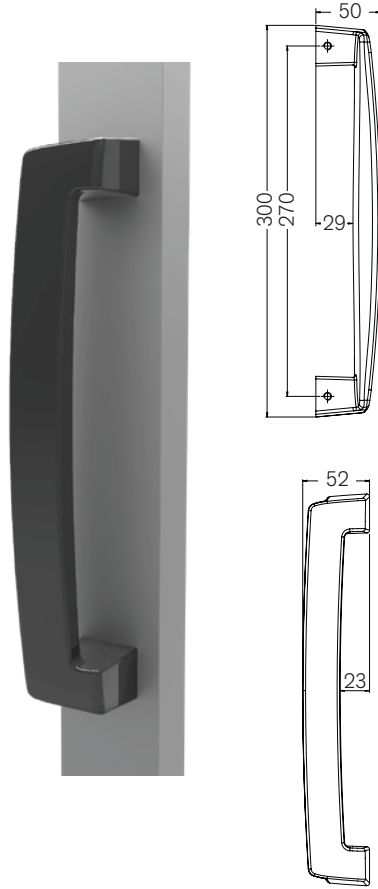
<b>FURNITURE MATERIAL</b>	Aluminium
<b>FURNITURE</b>	<p><b>DN350</b> D Pull handles - BTB Set D Pull handle - Single-sided</p> <p><b>DN351</b> Narrow style D Pull handles - BTB Set, Narrow style D Pull handle - Single-sided,</p> <p><b>DS575</b> Flush Pull - BTB Set Flush Pull - Single-sided</p> <p><b>DS1253,</b> <b>DS1253SS</b> (Stainless steel) Escutcheon Set</p>
<b>LOCKBODY</b>	<p><b>DS1290/30</b> <b>DS1290/35</b> <b>DS1290/40</b> 30/35/40mm backset &amp; Stainless steel face plate</p>
<b>KEEPER</b>	<p><b>DS1293</b> Surface Keeper (standard)</p> <p><b>DS1291</b> Slimline Morticed Keeper</p>
<b>CYLINDER</b>	<p><b>DS1266</b> 62mm, 5 Pin, Cylinder &amp; Turn</p> <p><b>DS1272</b> 62mm, C4 - 5 Pin, fixed cam</p>

# AVON SERIES | SLIDING DOOR LOCKS

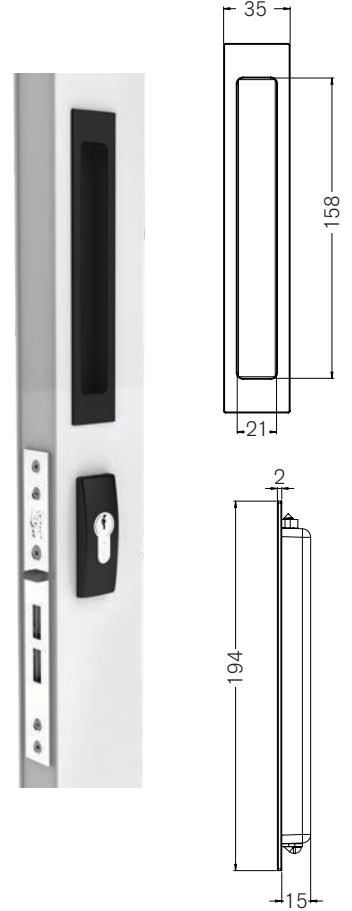
**DN350**  
D Pull



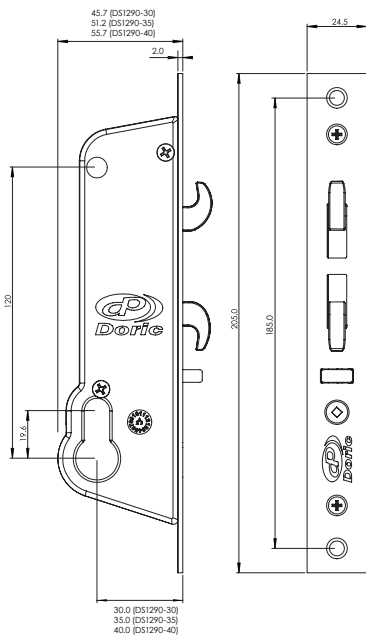
**DN351**  
Narrow Style D Pull



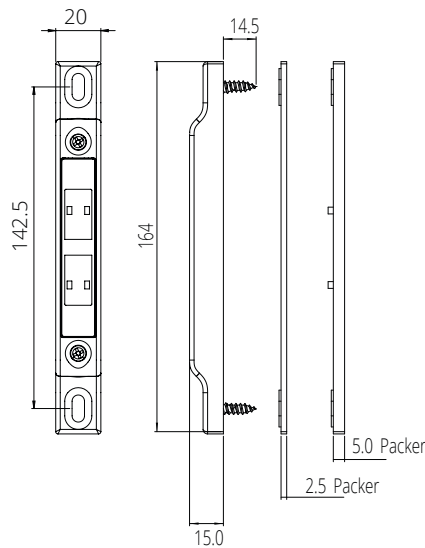
**DS575**  
Flush Pull



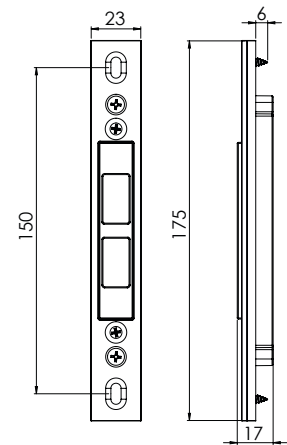
**Mortice Lock**  
DS1290



**Standard Keeper**  
DS1293



**Slimline Keeper**  
DS1291



# AVON SERIES | HINGED DOOR LOCK

Doric's Avon Series hinged door furniture is suitable for use in residential applications and is available in a wide range of durable powder coat colors with 17 degree lever layback.

This lock set increases the clearance between the lever and the door frame, advantageous when opening with a narrow backset mortice lock.

Levers and escutcheon plates are manufactured from high pressure cast zinc, enhancing both strength and durability. Each handle consists of a parallel leaf spring assembly to return the levers to the horizontal position.

Suitable for Euro Cylinder mortice locks with 85mm pitch between lever spindle and the keyed cylinder barrel.

The DS1650 furniture is kitted with Doric DS1265, DS1269, DS1295, and DS1298 mortice lock packs.

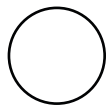
## ADVANTAGES

- Lever and escutcheon manufactured from high pressure cast zinc
- Parallel Leaf Spring Assembly spring mechanism
- 17 degree lever shaft layback for greater clearance during opening
- Universal standard 85mm pitch between lever spindle and cylinder barrel
- Non handed mechanism allows for easy selection on site for left or right hand doors

## COLOURS



BLACK



WHITE



SILVER



CUSTOM  
POWDER COAT  
AVAILABLE

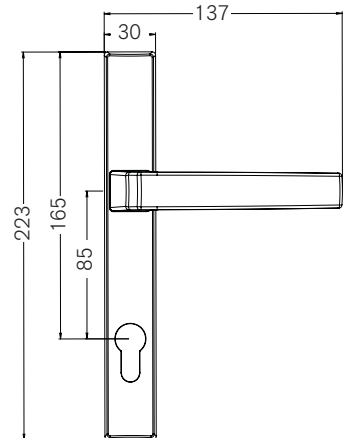
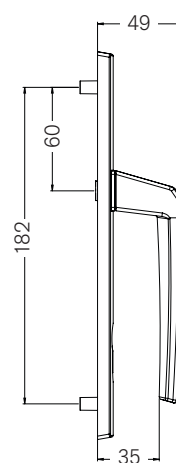
## HOW TO ORDER

FURNITURE	LOCKBODY	FINISH	CYLINDER	KEYING	STRIKE
DS1650	DS1265 DS1269 DS1295 DS1298	PC Black Powder coat colours available	DS1272 DS1266	96001 K-A or K-D	DS1277/S DS1277/M DS1277/L DS1278



## PRODUCT DETAILS

HANDLE & CHASSIS	Metacom™
INTERNALS	Die cast
TONGUES	Hardened Chrome
FINISH	Powder coat
CYLINDER	C4 - 5 pin system
SUITABILITY	Hinged door in French or bi-folding application





## AVON DS6007 SLIDING WINDOW LATCH



The Avon sliding window latch is a surface mounted latch and handle hardware that showcases the sleek and contemporary design of the Avon range with a large, easy to grab handle. It is the perfect addition to any Residential or Commercial aluminium window.

### ADVANTAGES

- 3mm Chrome plated hook tongue for corrosion protection
- Powder coated aluminium handle ensures excellent resistance to corrosion
- Sturdy handle is ideal for larger panoramic windows and heavier thermal windows
- Symmetrical design - can be used for both left and right handed applications

### COLOURS



### PRODUCT DETAILS

HANDLE & CHASSIS	Metacom™
INTERNALS	Die cast
TONGUES	Hardened Chrome
FINISH	Powder coat

## AVON DN551 FLUSH PULL WINDOW LOCK



The DN551 is a slimline mortice window lock designed for sliding aluminium windows, creating a smooth, clean and sleek quality finish in a residential and commercial setting.

The DN551 incorporates a push and slide type feature to open and close the window all in a low profile.

### ADVANTAGES

- Concealed fixing
- Self latching with adjustable latch tongue
- Compact window lock with recessed finger grab
- Neat low profile appearance

### COLOURS



### PRODUCT DETAILS

HANDLE & CHASSIS	Polesium™
FINISH	Powder coat

# AVON SERIES | AWNING WINDOW LOCKS

The Avon series Awning & Casement window locks are visually appealing and are manufactured from a zinc die cast body which delivers strength and product durability.

This modern handle design is available in multiple options and are the perfect compliment for residential and commercial window applications.

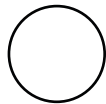
## ADVANTAGES

- Modern appealing design
- Strong and durable die cast zinc body
- Easy to install
- Low profile version also available
- Available in left handed and right handed openings
- Unique roller for a smooth operation

## COLOURS



BLACK



WHITE



SILVER



CUSTOM  
POWDER COAT  
AVAILABLE

## STAYS & RESTRICTORS

- Awning & casement windows
- Aluminium, timber and UPVC window frame
- Easy to install, non-handed
- Smooth operation & easy to clean

### SS0001 | SECURITY STAY

- Suits residential & commercial
- Manufactured from 304 Stainless steel

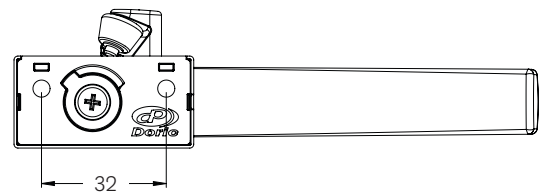
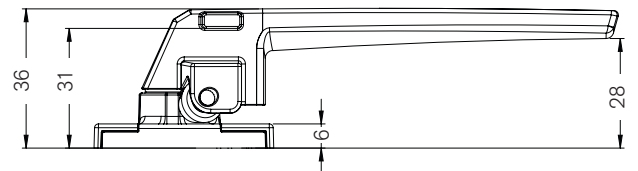
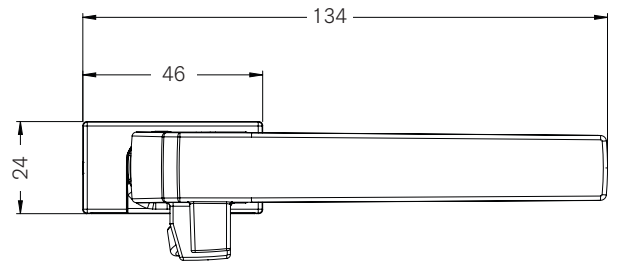


### SS0003 | KEY RELEASE RESTRICTOR STAY

- Suits residential & commercial
- Manufactured from 304 Stainless steel



### DS801 Venting

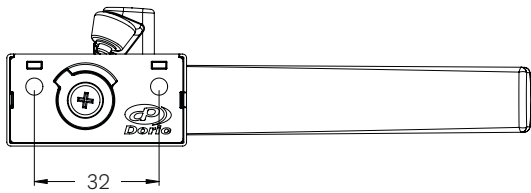
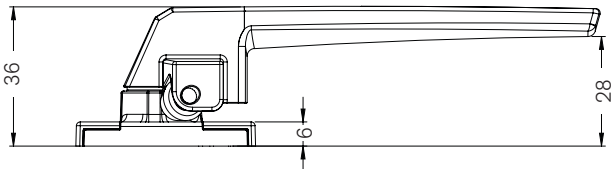
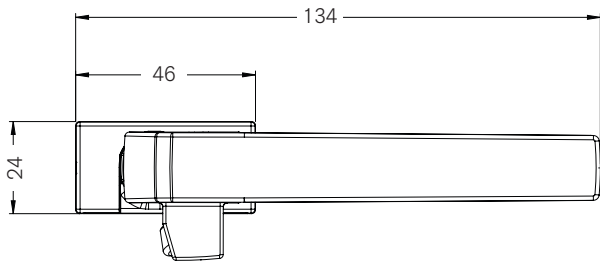


## PRODUCT DETAILS

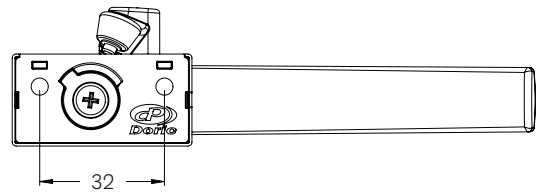
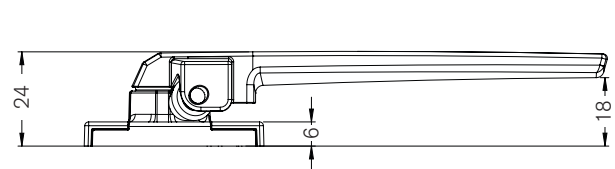
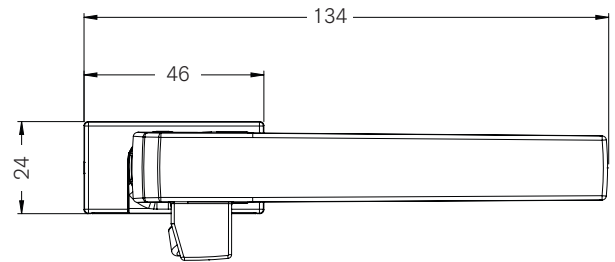
BODY	Metacom™
INTERNALS	Die cast
BASE	Hardened Chrome
FINISH	Powder coat

# AVON SERIES | AWNING WINDOW LOCKS

**DS802 Standard**



**DS803 Low Profile**



## PRODUCT DETAILS

<b>BODY</b>	Metacom™
<b>INTERNALS</b>	Die cast
<b>BASE</b>	Hardened Chrome
<b>FINISH</b>	Powder coat

## PRODUCT DETAILS

<b>BODY</b>	Metacom™
<b>INTERNALS</b>	Die cast
<b>BASE</b>	Hardened Chrome
<b>FINISH</b>	Powder coat

# INNOVATORS

OF HARDWARE FOR WINDOWS AND DOORS

---

AVON\_RANGE\_DNZ.v1.8-24.02.2024

## SYDNEY

38 Redfern St,  
Wetherill Park  
Sydney, NSW 2164  
Australia  
Ph: +61 2 9609 2555  
[www.doric.com.au](http://www.doric.com.au)

## AUCKLAND

26/C Triton Drive,  
Albany, North Shore,  
Auckland 0632  
New Zealand  
Ph: +64 9 415 5535  
[www.doric.co.nz](http://www.doric.co.nz)

## KUALA LUMPUR

Unit 6, Level 4, SetiaWalk Mall (*Block K*),  
SetiaWalk, Persiaran Wawasan,  
Pusat Bandar Puchong,  
47160 Puchong, Selangor, Malaysia  
Ph: +603 8602 2100  
[www.doric.com.my](http://www.doric.com.my)



---

# AVON SERIES | DOOR & WINDOW HARDWARE